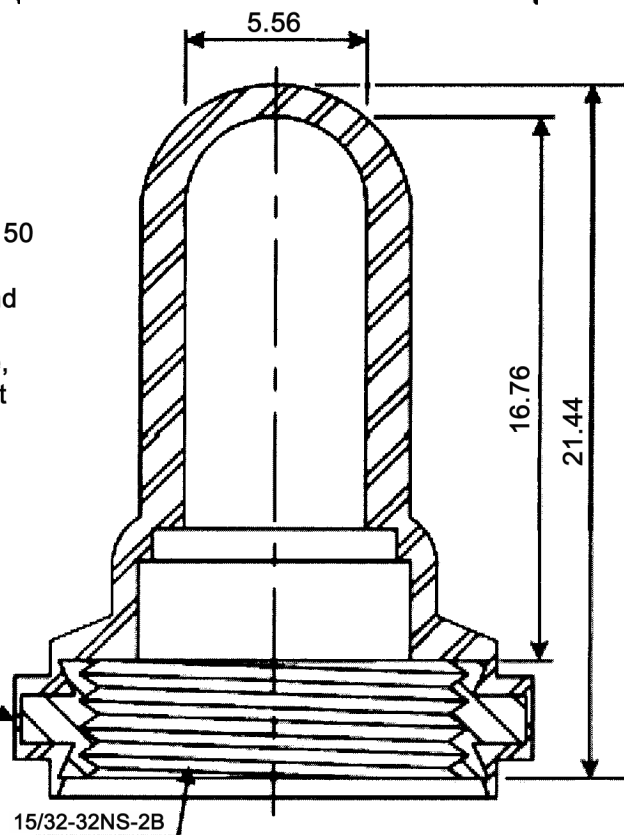


Specifications:

Operating temperature: -34°C to +204°C
 Mechanical life: 50 000 cycles min.
 Material: silicone rubber conforms to ZZ-R-765 class III, GR 50
 Mounting nut: brass, nickel plated
 Pressure range: exceeds 15 psi internal and 1500 psi external
 Resistant to: salt spray, sunlight, ozone, weather, fungus, and most acids and lubricating oils



Tolerances:			Date	Name
			12/07	dr
Modifications	Date	Name		

ET 307

knitter-switch

30 13 11

Page

1/1